

## 23 SERIES

- **MINIATURE WEDGE BASE NON-GROUNDED OR GROUNDED LAMPHOLDERS**
- **BLACK NYLON HOUSING (UNLESS OTHERWISE NOTED)**
- **6" WIRE LEADS, PRINTED CIRCUIT BOARD OR SOLDER LUG TERMINALS**
- **MAXIMUM RATINGS: 20 WATTS, 28 VOLTS**
- **UL AND CSA RECOGNIZED • UL FILE E20356 • CSA FILE LR 15284-24**

### Overview

The 23 Series lampholders are designed for automotive and appliance applications. Most lampholders can be supplied as either non-grounded or grounded units with printed circuit board or solder lug terminals or 6" wire leads. Many bracket and mounting options are available including plug buttons for 5/8" mounting holes and a 5/8" twist and lock socket. Lampholders are designed for use in low voltage applications with T-5 & T-3 1/4 wedge base lamps.

### Specifications

**Housing:** black nylon, unless otherwise specified. white housing also available.

**Contacts:** brass.

#### Terminals:

**Solder lug:** electro tinned brass, 0.110" length x 0.010" thick, with one wire hole 3/32"x1/16" in diameter. Non-grounded units are supplied with two terminals. Grounded units are supplied with one terminal.

**Printed circuit board terminals:** brass.

**Wire Leads:** 6" **Leads:** #22 AWG, black, stranded tinned copper, PVC insulated, UL/CSA rated 105°C, stripped 1/2". Non-grounded units are supplied with two 6" wire leads. Grounded units are supplied with one 6" wire lead. Custom wire lengths, stripping, termination and wire types are also available.

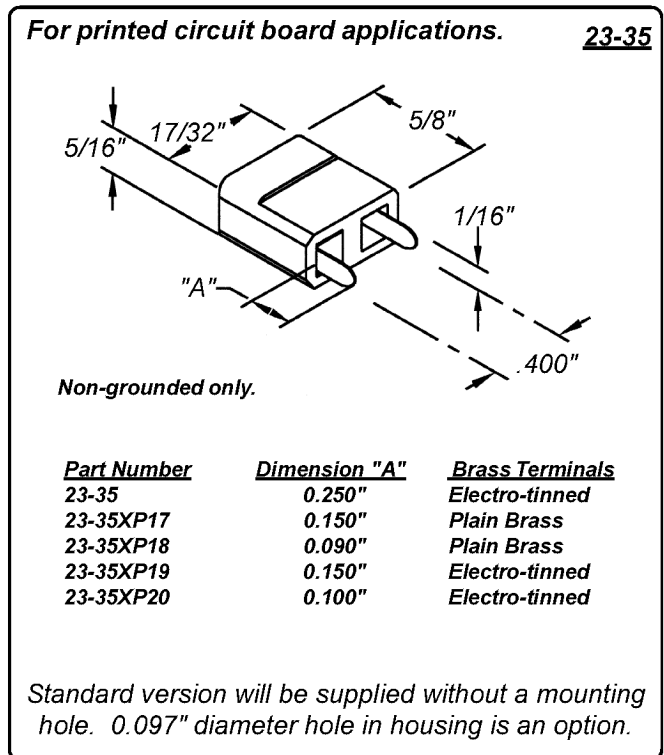
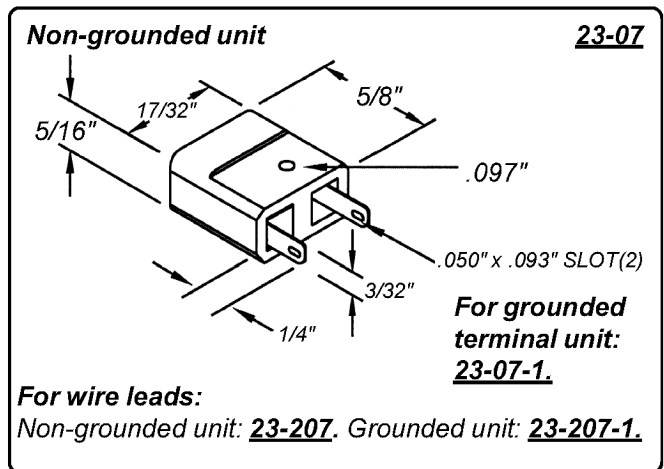
#### Mounting:

**Brackets:** 0.025" to 0.032" zinc plated steel.

**Plug buttons:** for 5/8" mounting hole, nylon or zinc plated steel.

**Twist & Lock:** for 5/8" mounting hole.

**Maximum rating:** 20 Watts, 28 Volts.



**23 Series • UL & CSA Recognized**  
**Maximum Rating: 20 Watts, 28 Volts**  
**Non-Grounded or Grounded**

**Black Nylon\* Housing**  
**Solder Lug Terminals, 6" Wire Leads**  
**or Printed Circuit Board Terminals**

\* Nylon Housing unless otherwise noted.

**Non-grounded only.**

**Packard Mating Piece**

Note:  
Packard Mating Piece Not Supplied  
Packard Mating Part Numbers:  
Housing 1205-9253  
Terminals 1204-7883

**23-METRI-PACK**

**23-METRI-PACK MOUNTING HOLE**

Recommended panel thickness range: 0.068" to 0.075".

**Non-grounded only.**

**23-207SL**

**Mounting Hole Diagram**

0.005R (TYP)

**Non-grounded only.**

**23-140PL**

Plug button for 5/8" mounting hole  
Panel thickness: 1/32" to 3/32".

**For solder lug terminals: 23-140PL-T.**

**TWIST & LOCK MOUNTING**

**23-233TL**

**Non-grounded only.**

**Mounting Hole Diagram**

For solder lug terminals: **23-33TL.**

Panel thickness range: 1/32" to 3/64"

**23-240-1**

**For non-grounded wire lead unit: 23-240.**

**For solder lug terminals:**  
Non-grounded unit: **23-40.**  
Grounded unit: **23-40-1.**

Plug button: zinc plated steel  
Mounting hole: 5/8" Panel thickness: 1/16" to 3/32"